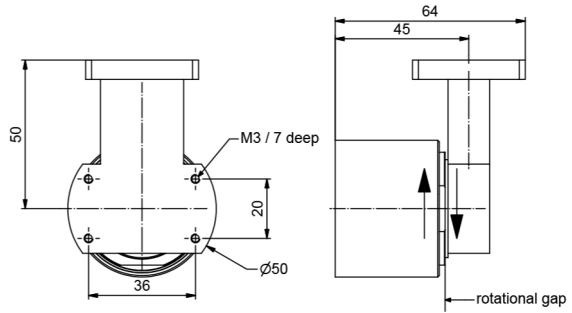


OWG100L-UBR120-14.5GHz



RF channel characteristics

Interfaces	UBR120
Style	L
Frequency range	13.75-14.50 GHZ
Peak power , max	5 kw at sea level
Average power . max	100 W
VSWR . max	1.2
VSWR WOW . max	0.1
Insertion loss . max	0.2 db
Insertion loss WOW . max	0.05 db

General mechanical data

Rotating speed . max	50 rom
Life . min	10 x 106 revolutions
Starting torque , max	0.25 Nm@room temperature
Torque during rotation , max	0.20 Nm@room temperature
Case material	aluminum alloy
Case surface finish	chromate conversion coat per MIL-C-5541
Weight , approx	0.3 kg

General environmental conditions Operation

Ambient temperature range	-40°C~+70°C
Relative humidity , max	95%
IP protection level	IP41